

# UNL UnLatch<sup>®</sup> Strike

*Works with most cylindrical locksets up to 5/8" throw latchbolt*



The universal compact, high performance, no cut electromechanical motorized electric strike for use with cylindrical locksets.

Designed for easy installation, the UNL is capable of releasing under preload conditions and accommodates latchbolts up to 5/8" throw. Strong enough to withstand windstorm conditions, the UNL is the UL listed, fire rated electric strike that includes lock monitoring standard and provides ANSI/BHMA Grade 1 holding power.

## Features

### Standard Features

- No cutting required
- Preload capable
- Accommodates 1/2" – 5/8" [12.7mm – 15.875mm] latchbolt (5/8" [12.7mm] with 1/8" [3.175mm] door gap)
- Lock Monitor (Standard -SPDT)
- Supports deadlatch function
- Strike body depth 1-1/2" [38.1mm]
- SecuriCare five-year, no-fault, no questions asked warranty

### Optional Features

- 12 VDC
- 24 VDC
- **FSUNL** for field-selectable fail safe operation (ordered separately)



Grade 1

SecuriCare  
WarrantyCylindrical  
Locksets

Fire Rated

Windstorm  
Resistant

Preload

h.e.s.

ASSA ABLOY

## Specifications

### Certifications

- UL 10C Listed, 3-hour single door
- CAN4-S104, CAN/ULC Listed
- NFPA-252 fire door compliant
- UL listed to ANSI/ SDI-BHMA A250.13 (60PSI) Windstorm
- ANSI/BHMA A156.31, Grade 1; E09321, E09322, E09323
- ASTM-E152 fire door compliant

### Electrical

- 12 VDC (continuous duty)
  - » Inrush – 3 Amps
  - » Standby Current – 300 mA
- 24 VDC (continuous duty)
  - » Inrush – 1.5 Amps
  - » Standby Current – 200 mA

### Holding Force

- 1500 lbs [680kg] static

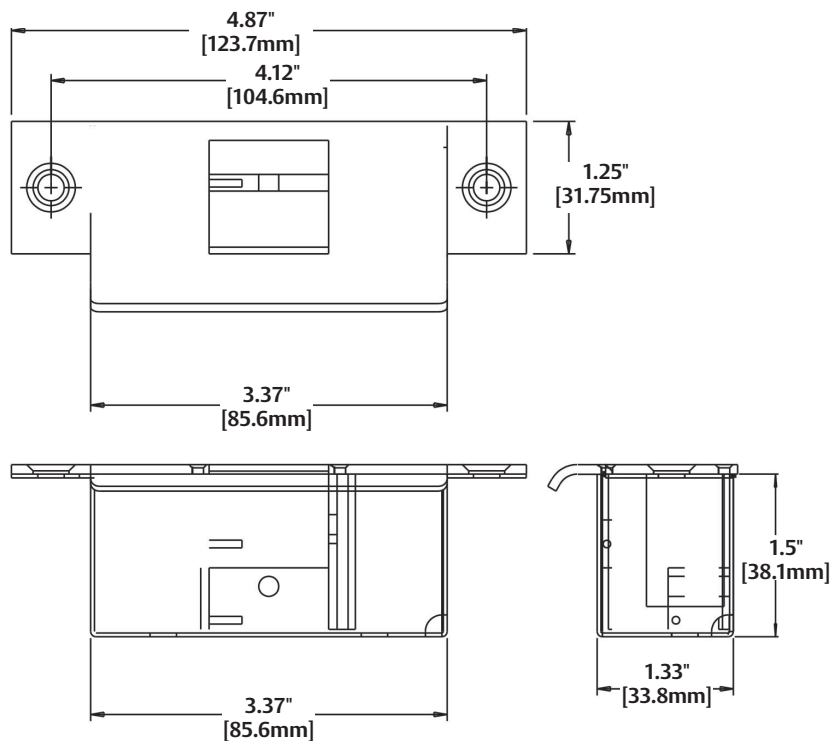
### Operating Temperature

- -20° to 125° F [-29° to 52° C]

### Shipping Weight

- 1.6 lbs [0.73kg]

## Dimensions



## FSUNL Field Selectable Unlatch® Module

Allows Fail Safe or Fail Secure Configuration of UNL and MUNL

The FSUNL is used with a UNL or MUNL installation to provide selectable fail safe or fail secure behavior. Removal of power initiates a full unlatch or latch cycle depending on which mode is selected.

PART NUMBER	DESCRIPTION
FSUNL-12	Fail Secure/Fail Safe Unlatch Module, 12 VDC, .90 mA
FSUNL-24	Fail Secure/Fail Safe Unlatch Module, 24 VDC, 1.4 mA

NOTE: FSUNL for field-selectable fail safe operation ordered separately



## How to Order

SERIES	VOLTAGE	FINISH
<b>UNL</b>	<b>- 24</b>	<b>- 10B</b>
UNL Cylindrical	12 12 Volt	613 Stainless Steel
	24 24 Volt	626 Oil Rubbed Bronze

NOTE: Electric strike compatibility is determined at time of electric strike product release. ASSA ABLOY is not responsible for incompatibility of products that have changed in design or craftsmanship by their respective manufacturers. When compatibility is a concern, contact Customer Support for application assistance.